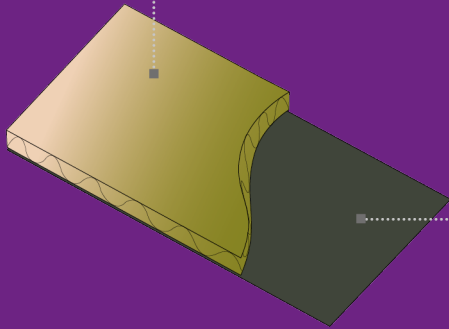


Eurobac®

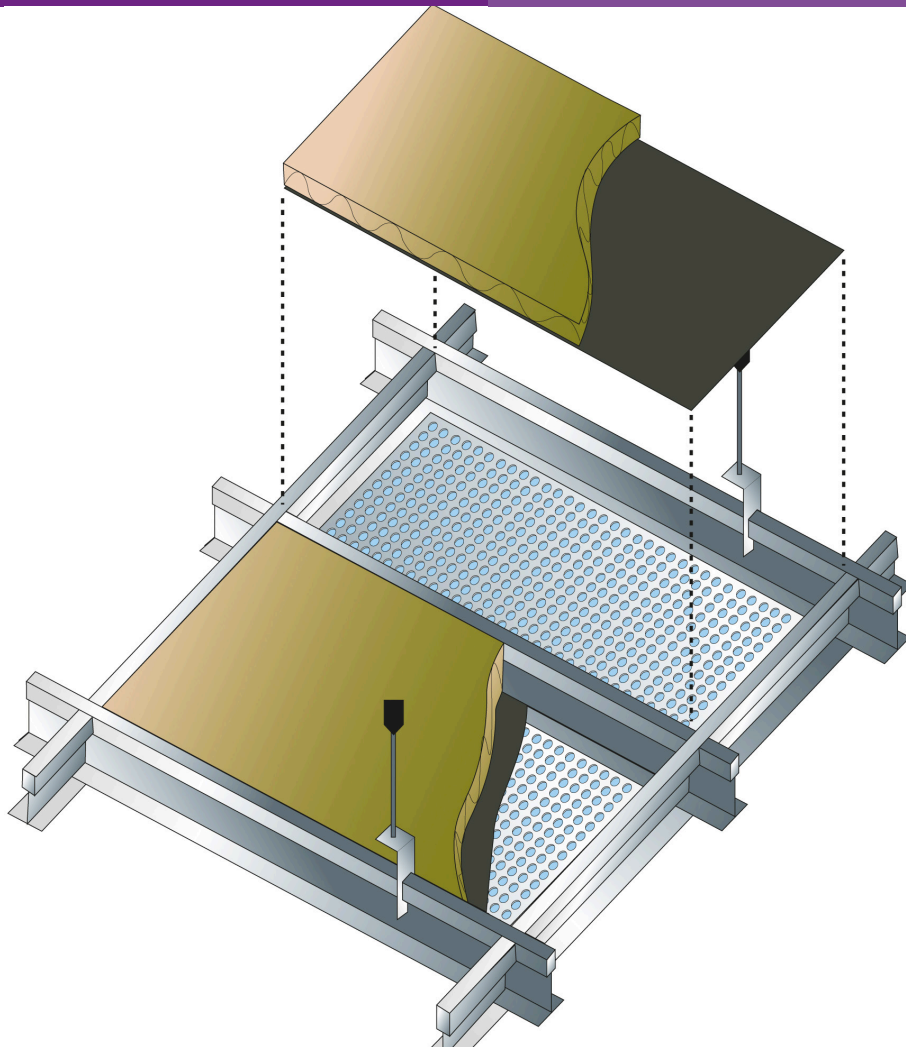
Stone wool panel,
30 mm thick



Black glass fiber veil

KEY FEATURES

- Suitable for integration into metal ceilings, linear strips and panels
- Acoustic absorption: $\alpha_w = 1$
- Reaction to fire: A1
- Black glass fiber veil that helps reduce dust from spreading inside the area

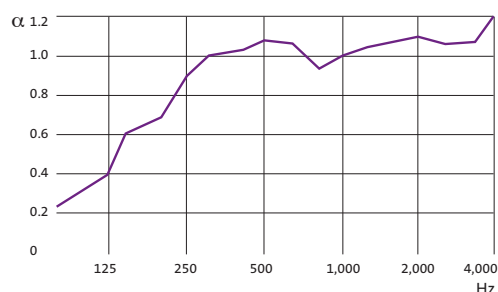


Eurobac®

- > 30 mm rigid stone wool panel.
- > Covered with a black glass veil.



Acoustic absorption



- $\alpha_w = 1$: class A / NRC = 1



Fire reaction

- According to EN 13501-1: Euroclass A1.



Humidity performance

- Stone wool is naturally non-hydrophilic.



Environment and health

For filling panels :

Environment

- Mineral wool is recyclable, and the vast majority of production waste is recycled.
- For projects based on LEED®, BREEAM® and HQE™ Green Building certifications, EPD (Environmental Product Declarations) are available. Contact us.
- Eurocoustic is certified to ISO 14001: 2015 «Environmental Management Systems».

Healthcare

- Eurocoustic stone wool is certified by EUCEB (European Certification Board for mineral wool product).
- Stone wool panels are manufactured with fibers exempt from the carcinogenic classification (European Regulation 1272/2008 as amended by European Regulation 790/2009). According to the International Agency for Research on Cancer, mineral wool is not classifiable as to its carcinogenicity to humans (Group 3).



CE marking

- DoP no.: 0001-104.



Indoor Air Quality

- Eurobac® products are classed B.

AT A GLANCE

Module size (mm) and packaging

Width	300	600
Length	1200	1200
Thickness	30	30
Panels/pack	320	20
m ² /pack	115,20	14,40
Packs/pallet	1	8
Service class	C	B

Panels of 300 x 1200 mm are sold by pallets.

Eurobac® panels packs are shrink-wrapped for protection. Pallets are wrapped in plastic film and must be stored under cover.